

ATA CHAPTER

25 20 00

Passenger Service Top Mounted Baby Bassinet

- High comfort
- Light-weight 4 kg
- Easy handling
- Easy retrofit
- Uses unused cabin space

In accordance with:

- Applicable EASA-CS/FAR part 25
- Airbus Specifications

The top mounted baby bassinet perfectly extends INNOVINT's baby bassinet portfolio in addition to the wall mounted baby bassinets 7250-series. Providing also excellent comfort the top mounted baby bassinet presents substantial progress by using obvious unused cabin space for installation (e.g. seat shells of first and business class seats). Designed as a »clip-on« unit using two quick release pip pins which ensure proper locking to the monument. The installation fittings can be retrofitted without special tools and are available for various wall thicknesses.

When not in use the bassinet can be folded to a minimum size and stored in stowage's or overhead bins.



PNR 7254-XX • Baby Bassinet



PNR 7254-XX • Baby Bassinet



PNR 7254-series • Baby Bassinet stowed in carry case

ATA CHAPTER

25 20 00

Passenger Service **Top Mounted Baby Bassinet**

Specification 7254-series

UNFOLDED DIMENSION

Length:	760 mm	29.92 in
Width:	355 mm	13.98 in
Height:	242 mm	9.53 in
Weight fabric:	3,8 kg	8.4 lbs
Weight leather:	4 kg	8.8 lbs
Payload:	11,0 kg	24.25 lbs

FOLDED DIMENSION

Packed in Carry Case PNR 7264-series

Length:	765 mm	00.57 in
Width:	380 mm	14.96 in
Height:	82 mm	3.23 in

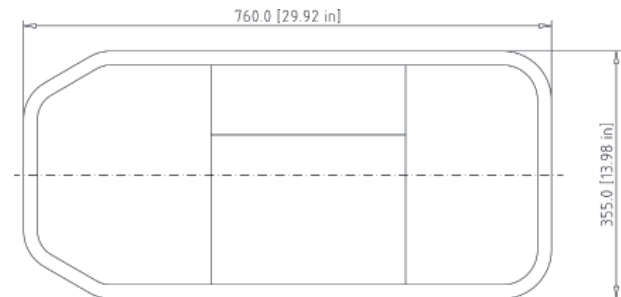
CARRY CASE

PNR 7254-XX

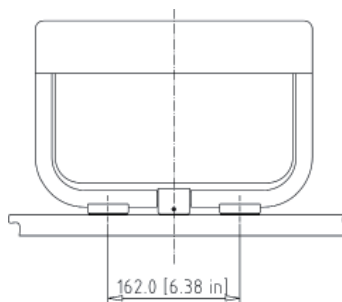
Length:	800 mm	31.50 in
Width:	362 mm	14.25 in
Height:	234 mm	9.21 in
Weight:	1,0 kg	2.2 lbs

Material

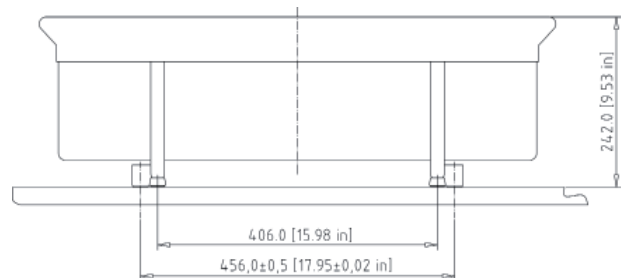
The baby bassinet consists of aluminum structure, a mattress made of an aluminum honeycomb covered with foam which is integrated into the basket. The basket is made of fabric or leather. Colors are according to customer requirement. The carry case will be made of the same fabric or leather as the basket.



PNR 7254-XX • Dimensions



PNR 7254-XX • Dimensions



PNR 7254-XX • Dimensions