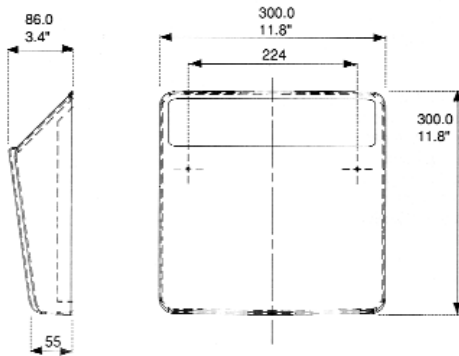


ATA CHAPTER

25 | 27 | 00

Magazine Racks



PNR 1240-70-series • Single slot magazine rack

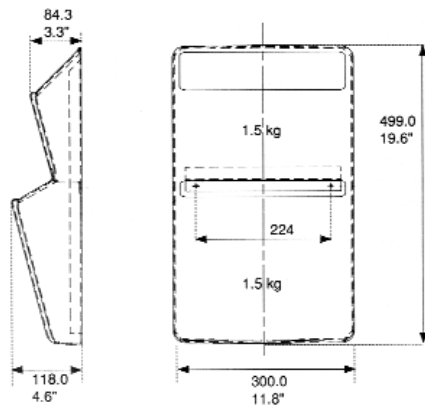


Magazine Racks are installed on rigid walls. The racks are fixed by screws and are made of thermoformed polycarbonate.

The color range is unlimited, covering Airbus AIC, Boeing BAC-color codes and any color from a master sample.

The materials are in compliance with EASA/FAR 25.853 (a).

The magazine racks shown are Airbus standard equipment.

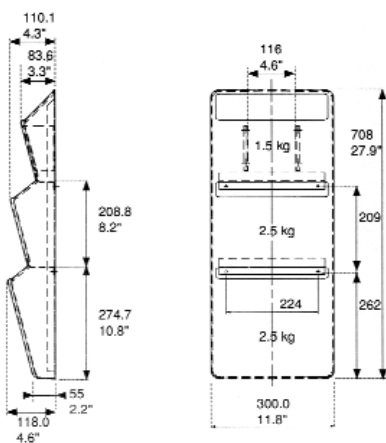


PNR 1240-71-series • Double slot magazine rack



SINGLE SLOT

Length:	300 mm	11.80 in
Width:	86 mm	3.40 in
Height:	300 mm	11.80 in
Weight:	0,55 kg	1.21 lbs



PNR 1240-72-series • Triple slot magazine rack



DOUBLE SLOT

Length:	300 mm	11.80 in
Width:	118 mm	4.60 in
Height:	499 mm	19.60 in
Weight:	0,90 kg	2.00 lbs

TRIPLE SLOT

Length:	300 mm	11.80 in
Width:	118 mm	4.60 in
Height:	708 mm	27.09 in
Weight:	1,3 kg	2.87 lbs

ATA CHAPTER

25 27 00

Magazine Racks **Customized**



PNR 1274-002

MAGAZINE RACK DOUBLE SLOT

PNR 1274-002

Length:	520 mm	20.5 in
Width:	80 mm	3.1 in
Height:	224,5 mm	8.8 in
Weight:	1,3 kg	2.9 lbs
Gross:	4,3 kg	9,5 lbs

The double and triple slot magazine racks made from translucent polycarbonate bonded with aluminum and chrome finished caps are part of our new exclusive collection. The unique stylish design will enhance any aircraft interior and respond to all operational needs and comfort requirements. All used materials are highly qualitative and responding to the actual global airline market that Innovint Aircraft Interior is servicing worldwide.

- Translucent polycarbonate
- Aluminium tubes with chrome caps
- In compliance with EASA CS/FAR 25.853 for flammability, smoke density, and toxicity.



PNR 1274-003

MAGAZINE RACK TRIPPLE SLOT

PNR 1274-003

Length:	754 mm	29.7 in
Width:	80 mm	3.1 in
Height:	224,5 mm	8.8 in
Weight:	1,8 kg	4.0 lbs
Gross:	6,3 kg	13,9 lbs

ATA CHAPTER

25 | 27 | 00

Overhead Stowage **Magazine Rack**



Overhead Stowage Magazine Rack • shown without divider panel

Overhead Stowage Magazine Rack

for Airbus single aisle with standard lining

PNR 1240-116 LH, PNR 1240-117 RH
 Front width: 276 mm 10.9 in

Slot dimensions:
 Length: 235 mm 9.2 in
 Width: 300 mm 11.8 in
 Height: 80 mm 3.1 in

Overhaed Stowage Magazine Rack

for Airbus single aisle with enhanced lining

PNR 1240-108 LH, PNR 1240-118 RH
 Front width: 276 mm 10.9 in

Slot dimensions:
 Length: 235 mm 9.2 in
 Width: 300 mm 11.8 in
 Height: 80 mm 3.1 in



PNR 1240-108

The overhead stowage magazine rack made out of honeycomb sandwich material is fitted with three slots. It has been especially designed to allow a safe stowage and easy access to magazines. It fits for example in any Airbus single aisle for standard and enhanced linings.

- The materials are in compliance with EASA-CS/FAR 25.853 and ABD0031, tested for flammability, smoke density, toxicity and heat release
- Compliant and tested under EASA-CS/FAR 25.561 static test 9g
- Conform to ICAO Annex 6 Part 1 Chapter 13 Aeroplane Search Procedure

- Weight: 3,0 kg 6.6 lbs
- Payload: 9,0 kg 19.8 lbs



PNR 1240-108